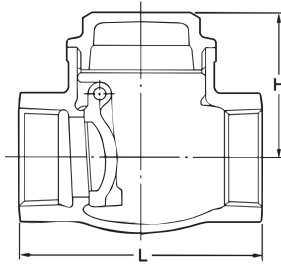


Fig. UO/UOM



Class JIS10K



Pressure-Temperature Rating:
 0.98MPa (10kgf/cm²) : 180°C
 200psi. W.O.G. :350°F S.P.

Materials

| Parts | UO | UOM |
|-------------------|-----------------|-----------------|
| Body | SCS 13A | SCS 14A |
| Cap | SCS 13A/SUS 304 | SCS 14A/SUS 316 |
| Disc | SCS 13A | SCS 14A |
| Hinge pin | SUS 304 | SUS 316 |
| Plug | SUS 304 | SUS 316 |
| Gasket (for plug) | Non Asbestos | Non Asbestos |

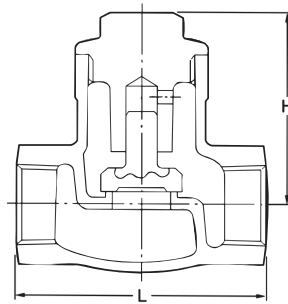
Dimensions

| size | inch | 1/2 | 3/4 | 1 | 1 1/4 | 1 1/2 | 2 | 2 1/2 | 3 |
|------|------|-----|-----|----|-------|-------|-----|-------|-----|
| | mm | 15 | 20 | 25 | 32 | 40 | 50 | 65 | 80 |
| L | mm | 65 | 80 | 90 | 105 | 120 | 140 | 180 | 200 |
| H | mm | 45 | 55 | 61 | 71 | 72 | 81 | 93 | 104 |

Fig. UN



Class JIS10K



Pressure-Temperature Rating: 0.98MPa (10kgf/cm²) : 180°C

Materials

| Parts | Materials |
|-------|-----------------|
| Body | SCS 13A |
| Cap | SCS 13A/SUS 304 |
| Disc | SUS 304 |

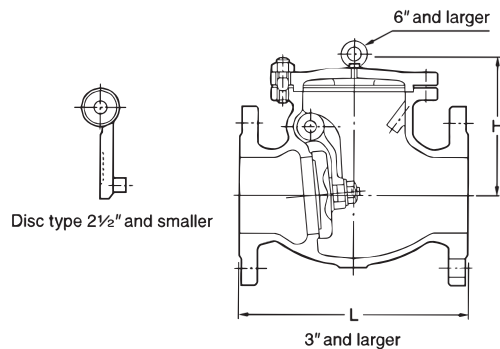
Dimensions

| size | inch | 3/8 | 1/2 | 3/4 | 1 | 1 1/4 | 1 1/2 | 2 |
|------|------|-----|-----|-----|----|-------|-------|-----|
| | mm | 10 | 15 | 20 | 25 | 32 | 40 | 50 |
| L | mm | 55 | 65 | 80 | 90 | 105 | 120 | 140 |
| H | mm | 50 | 53 | 54 | 62 | 66 | 76 | 85 |

Fig. 10UOA



Class JIS10K



Pressure-Temperature Rating: JIS B2238 · ASME B 16.34

Materials

| Parts | Materials |
|----------------|-------------------------|
| Body | SCS 13A |
| Cover | SCS 13A |
| Disc | SCS 13A |
| Disc nut | SUS 304 |
| Gasket | Non Asbestos |
| Hinge pin | SUS 304 |
| Plug | SUS 304 |
| Arm | SCS 13A |
| Washer | SUS 316,SUS 316L(3"-6") |
| Cover bolt/nut | SUS 304/304 |
| Split pin | SUS 316L |

Note : Body seats and/or disc seats
 can be optionally hard-face.

Dimensions

| size | inch | 1 1/2 | 2 | 2 1/2 | 3 | 4 | 5 | 6 | 8 | 10 | 12 | 14 | 16 | 18 | 20 | 24 |
|------|------|-------|------|-------|------|-------|-------|-------|-------|-------|-------|-------|-------|-------|-------|-------|
| | mm | 40 | 50 | 65 | 80 | 100 | 125 | 150 | 200 | 250 | 300 | 350 | 400 | 450 | 500 | 600 |
| L | in. | 6.50 | 8.00 | 8.50 | 9.50 | 11.50 | 13.00 | 14.00 | 19.50 | 24.50 | 27.50 | 31.00 | 34.00 | 38.50 | 38.50 | 51.00 |
| | mm | 165 | 203 | 216 | 241 | 292 | 330 | 356 | 495 | 622 | 698 | 787 | 864 | 978 | 978 | 1295 |
| H | in. | 4.2 | 4.7 | 5.3 | 5.8 | 6.7 | 7.5 | 8.4 | 9.96 | 11.0 | 12.3 | 14.3 | 16.1 | 18.7 | 19.9 | 23.4 |
| | mm | 107 | 120 | 135 | 147 | 169 | 190 | 213 | 253 | 279 | 312 | 364 | 410 | 475 | 505 | 595 |